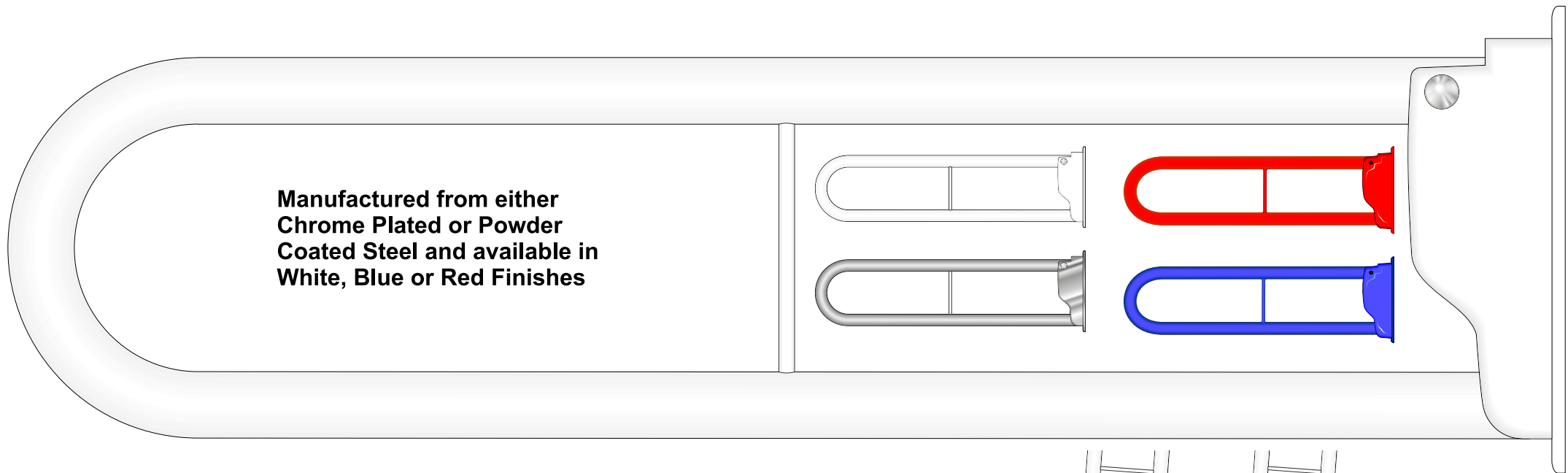




**A range of Bathroom and Shower accessories designed for use by the young and elderly and by those with limited mobility.**

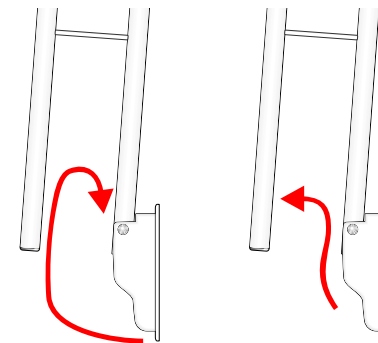


## **Hinged Grab Rail (page 1 of 2)**



Incorporates a simple “lift and lock” safety mechanism which keeps the Grab Rail upright against the wall when not in use.

**Nominal dimensions will be found on the next page**

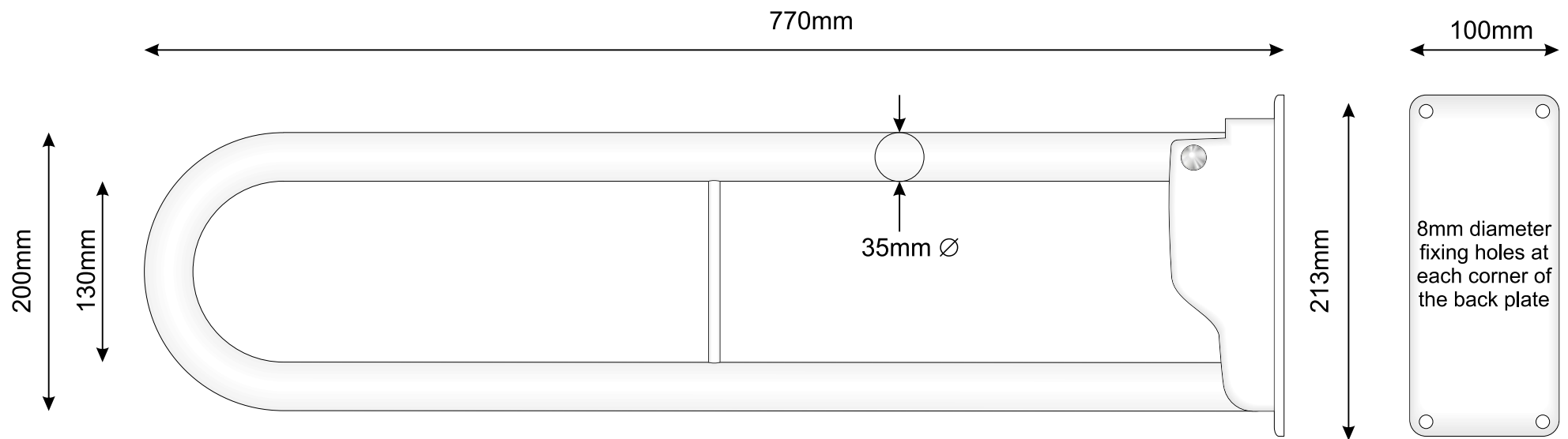




A range of Bathroom and Shower accessories designed for use by the young and elderly and by those with limited mobility.



## Hinged Grab Rail (page 2 of 2)



All dimensions are nominal