



A range of Bathroom and Shower accessories designed for use by the young and elderly and by those with limited mobility.

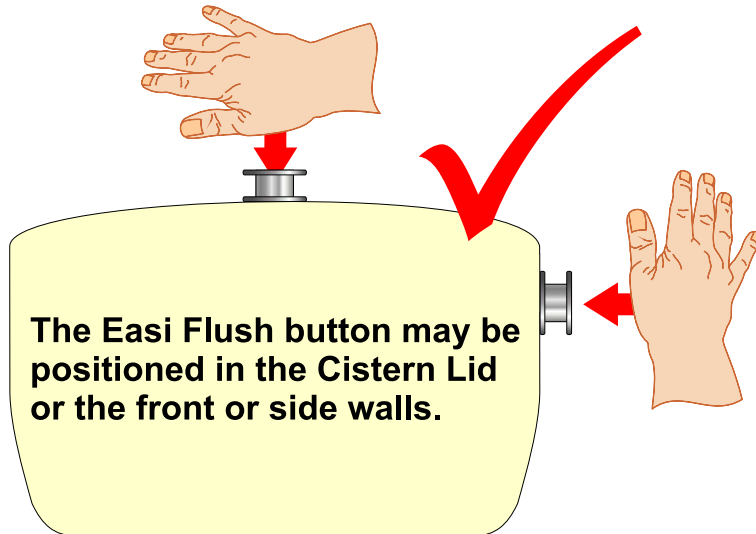


## Replacement Easi Flush Button for Cable Operated WC Cistern Flushing Valves

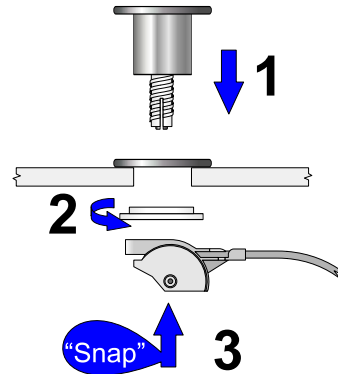
A conventional push button can often be difficult to use



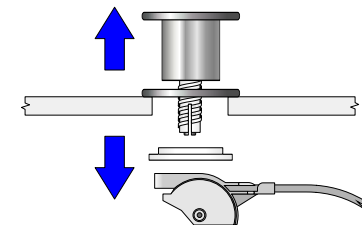
By comparison, the raised button is more easily used by the elderly or young children and by those with limited mobility.



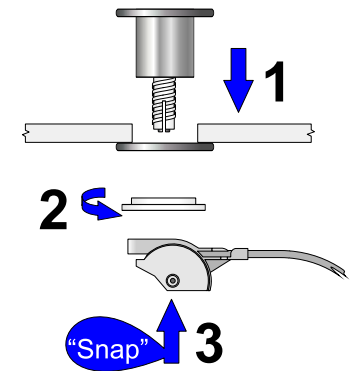
Install like this with ceramic cisterns or furniture incorporating a hole of between 14 and 38mm.



### Fitting the Push Button



Install like this with ceramic cisterns or furniture incorporating a hole of between 38 and 46mm.



**IMPORTANT.** When fitting the Push Button, ensure that no part of the mechanism, including the cable, is obstructed by any other cistern components.