



A range of Bathroom and Shower accessories designed for use by the young and elderly and by those with limited mobility.



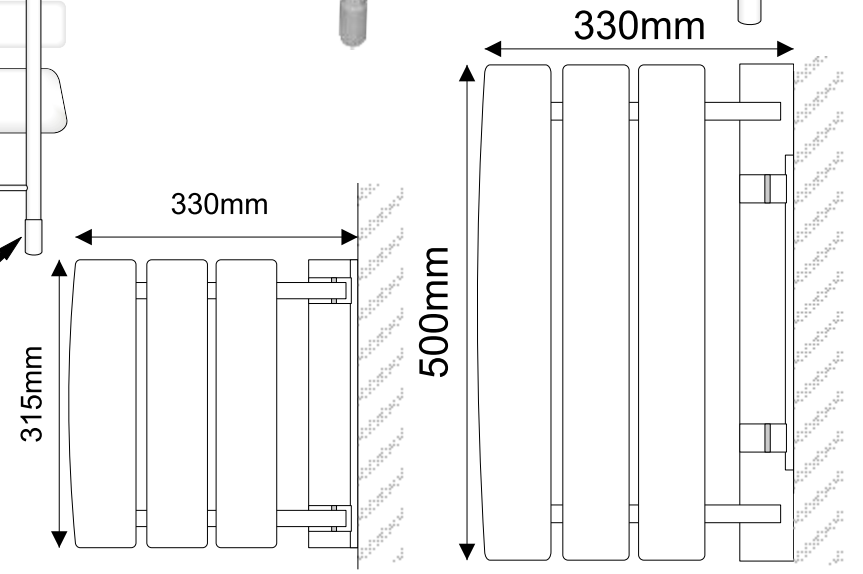
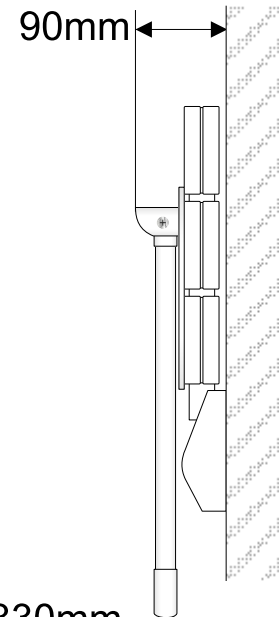
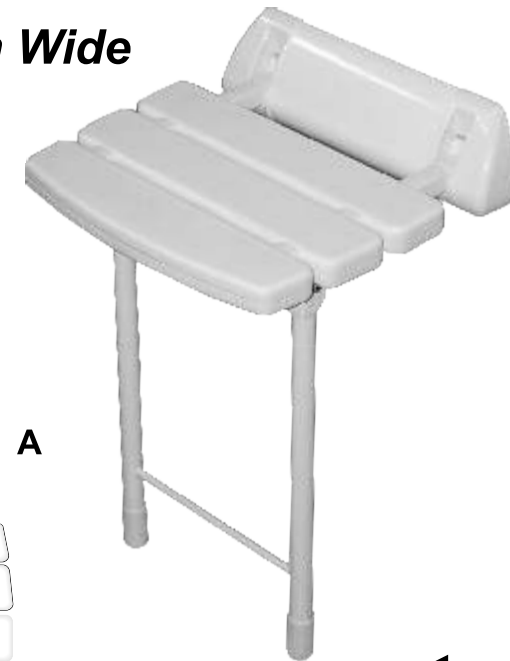
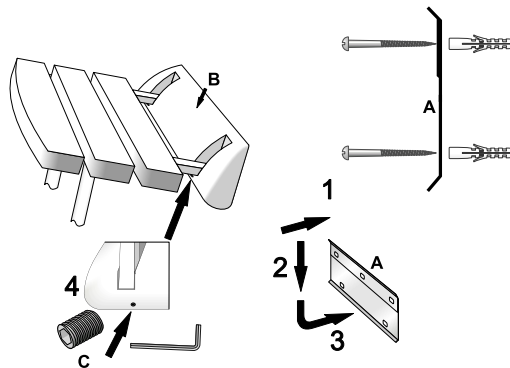
Wall Mounted Waterproof Folding Shower Seat With Legs

Note: There are 2 Versions available - 315mm and 500mm Wide

INSTALLATION INSTRUCTIONS

For safety reasons, it is important that the seat is secured to a vertical and substantial masonry wall. If the fixings provided are unsuitable, substitute with alternatives, making sure that they are strong enough for the purpose.

- 1 Open the seat with the legs down and temporarily locate against the wall to the required position and height - the actual distance being determined by the legs which can be adjusted by the rotatable ferules **D**, at the bottom of the legs. Position and orientate the Wall Support Plate **A**, at the now determined position with the three fixing holes at the top. The plate should be positioned at about 400 - 450mm, (16 to 18 inches) from the floor,
- 2 Ensure that consideration is given to the location of any other fittings above the seat position. There should be sufficient space so that the seat can be closed free of any obstructions.
- 3 With the plate level, mark the position of the 5 securing holes and then use a masonry drill and fitments to secure the plate to the wall.
- 4 Hook the upper back edge of the Seat Rear Frame **B**, over the top of the Wall Support Plate, and lower the unit down until the lower back of the Seat Rear Frame passes underneath the Wall Support Plate and touches the wall. See sequences 1 to 3.
- 5 Use the provided Hexagonal Allen Key to secure the Seat to the Plate by tightening the two Grub Screws **C**, located on the underside of the Seat Rear Frame. See 4.



- Waterproof
- Easy To Install
- Fixings for masonry walls and installation instructions included
- Weight allowance 250 kg - (39 Stone)

**Weight allowance
250kg - (39 Stone)**