

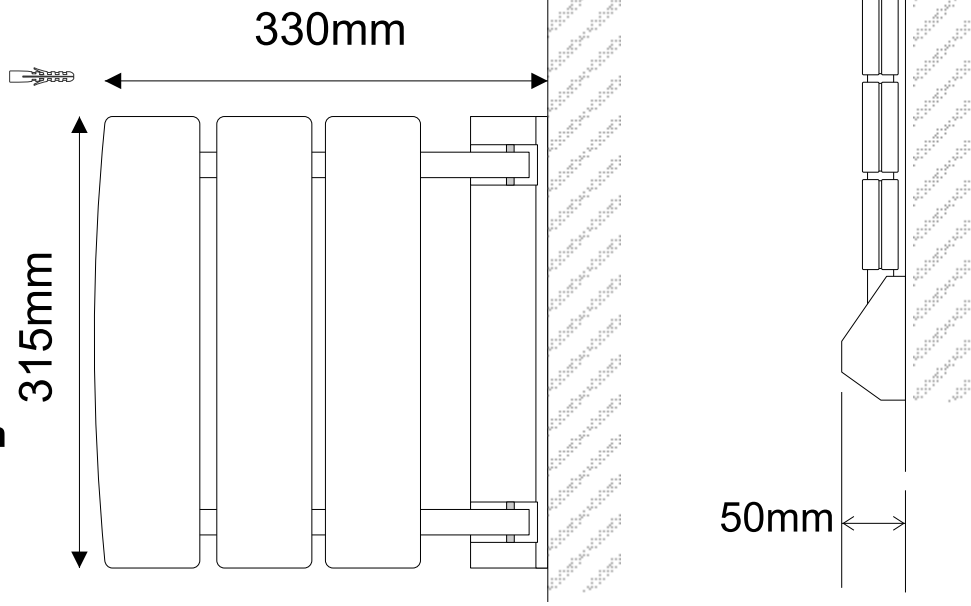
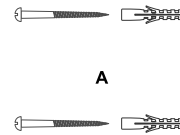
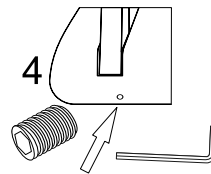
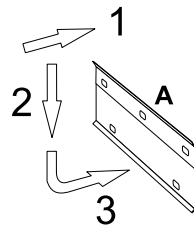
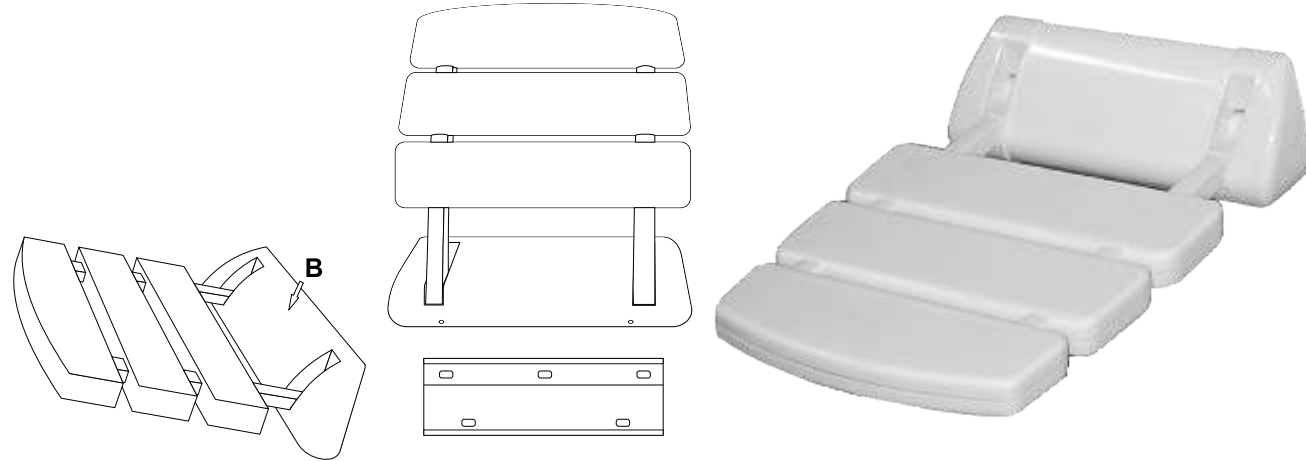


A range of Bathroom and Shower accessories designed for use by the young and elderly and by those with limited mobility.



Wall Mounted Waterproof Folding Shower Seat

- 1 Position the Wall Support Plate **A**, with the three fixing holes at the top. Normally the plate is positioned between 400 and 500mm, (16 to 18 inches) from the floor. However, it may be positioned at any distance from the floor taking into consideration any other fitments above it. There should be sufficient space so that the seat can be closed free of any obstructions.
- 2 With the plate level, mark the position of the 5 securing holes.
- 3 Use a masonry drill and fitments to secure the plate to the wall.
- 4 Hook the upper back edge of the Seat Rear Frame **B**, over the top of the Wall Support Plate, and lower the unit down until the lower back of the Seat Rear Frame passes underneath the Wall Support Plate and touches the wall. See sequences 1 to 3.
- 5 Use the provided Hexagonal Allen Key to secure the Seat to the Plate by tightening the two Grub Screws **C**, located on the underside of the Seat Rear Frame. See 4.



- **FSS1 White Finished Plastic with Painted Metal Frame**
- **Easy to install**
- **Waterproof**
- **Fixings for masonry walls and installation instructions are included**
- **Weight allowance 130 kg - (20 Stone)**