

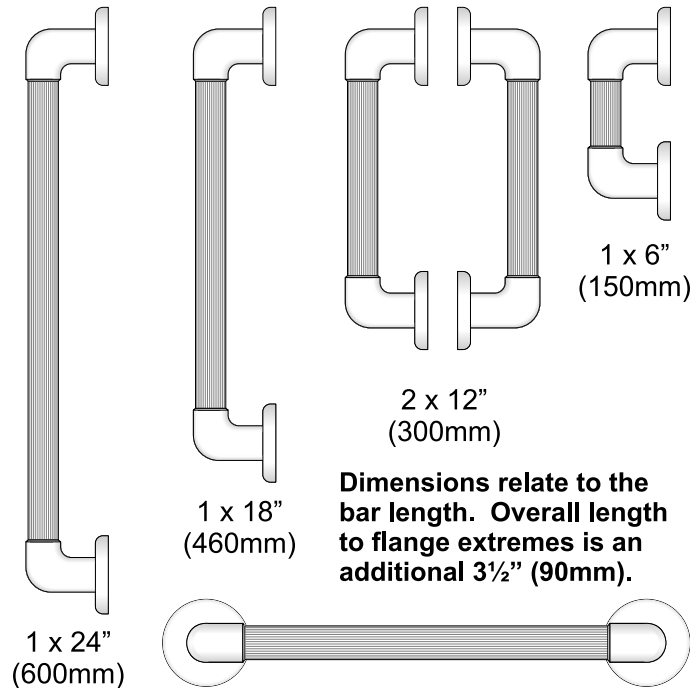


A range of Bathroom and Shower accessories designed for use by the young and elderly and by those with limited mobility.



Safety Grab Rail Kit

The Boxed Kit includes the five Grab Rails illustrated to the right

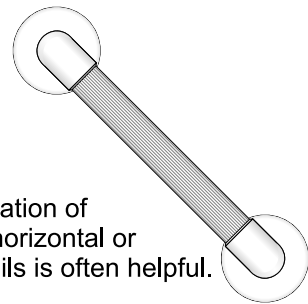


Dimensions relate to the bar length. Overall length to flange extremes is an additional 3½" (90mm).

Features:

- **1¼" (35mm) rib textured rail designed to provide a sure grip, even when hands are soapy.**
- **Robust ABS plastic construction.**
- **Supplied with concealed fixings cover.**
- **Available as White or Chrome Finish**

A combination of vertical, horizontal or angled rails is often helpful.



Fixings are included and these should be used to secure the rail through the concealed fixing holes under the flange cover. Ensure that the Grab Rails are securely fixed to suitable flat surfaces which are of masonry, concrete or timber. Grab Rails should not be secured with plasterboard fixings. If they are to be located against plasterboard studded walls, a substantial timber batten or stringer must be used behind the plasterboard surface.

These are safety aids only and will not completely eliminate the potential for slipping. Always exercise proper safety precautions.