



A range of Bathroom and Shower accessories designed for use by the young and elderly and by those with limited mobility.



Grab Rail

Available in lengths of 24" (600mm), 12" (300mm) & 18" (450mm) and with the same colour options

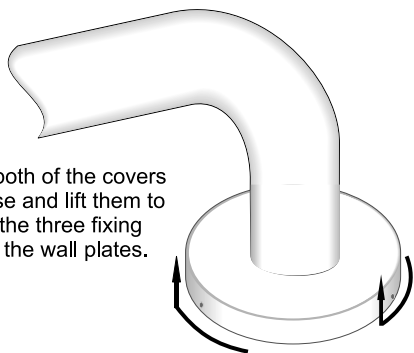
Instructions

Please note that fixings are not included with this device as the fixing method will depend on the structure onto which the rail is to be secured. If fitting to a concrete or masonry wall, make sure that good quality plugs and screws are used.

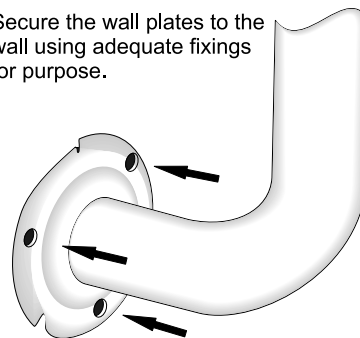
Do not fix onto a plasterboard wall unless backing timbers or suitable alternative of sufficient strength is used to ensure a safe and adequate assembly.

Not recommended for location or use within a shower enclosure

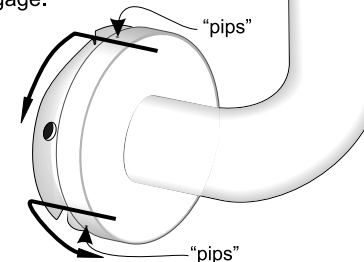
- 1** Rotate both of the covers clockwise and lift them to expose the three fixing holes in the wall plates.



- 2** Secure the wall plates to the wall using adequate fixings for purpose.



- 3** Relocate the covers by aligning the three "pips" in the outer edges with the cut-outs in the wall plate and rotate the covers anti-clockwise until they securely engage.



Rail Diameter is 35mm



Manufactured from Chrome Plated or Powder Coated Steel. Available in White, Blue or Red Finishes